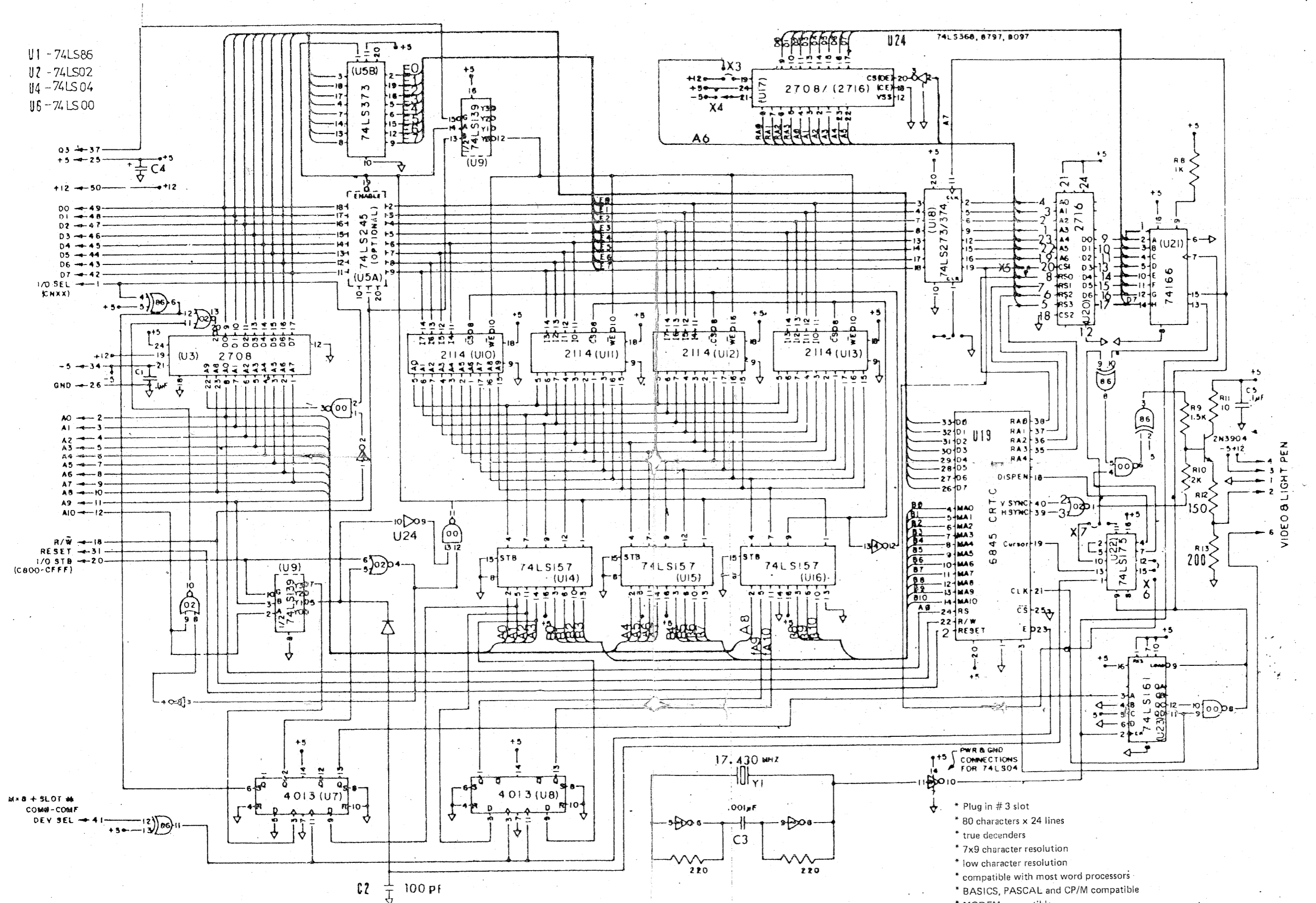


U1 - 74LS86  
 U2 - 74LS02  
 U4 - 74LS04  
 U6 - 74LS00



M = 8 + SLOT #  
 COM# - COM#  
 DEV SEL → 41

C2 100 pf

17.430 MHz

PWR & GND CONNECTIONS FOR 74LS04

- \* Plug in #3 slot
- \* 80 characters x 24 lines
- \* true decoders
- \* 7x9 character resolution
- \* low character resolution
- \* compatible with most word processors
- \* BASICS, PASCAL and CP/M compatible
- \* MODEM compatible
- \* most popular character set of any 80-column card
- \* alternate character fonts available

VIDEO & LIGHT PEN