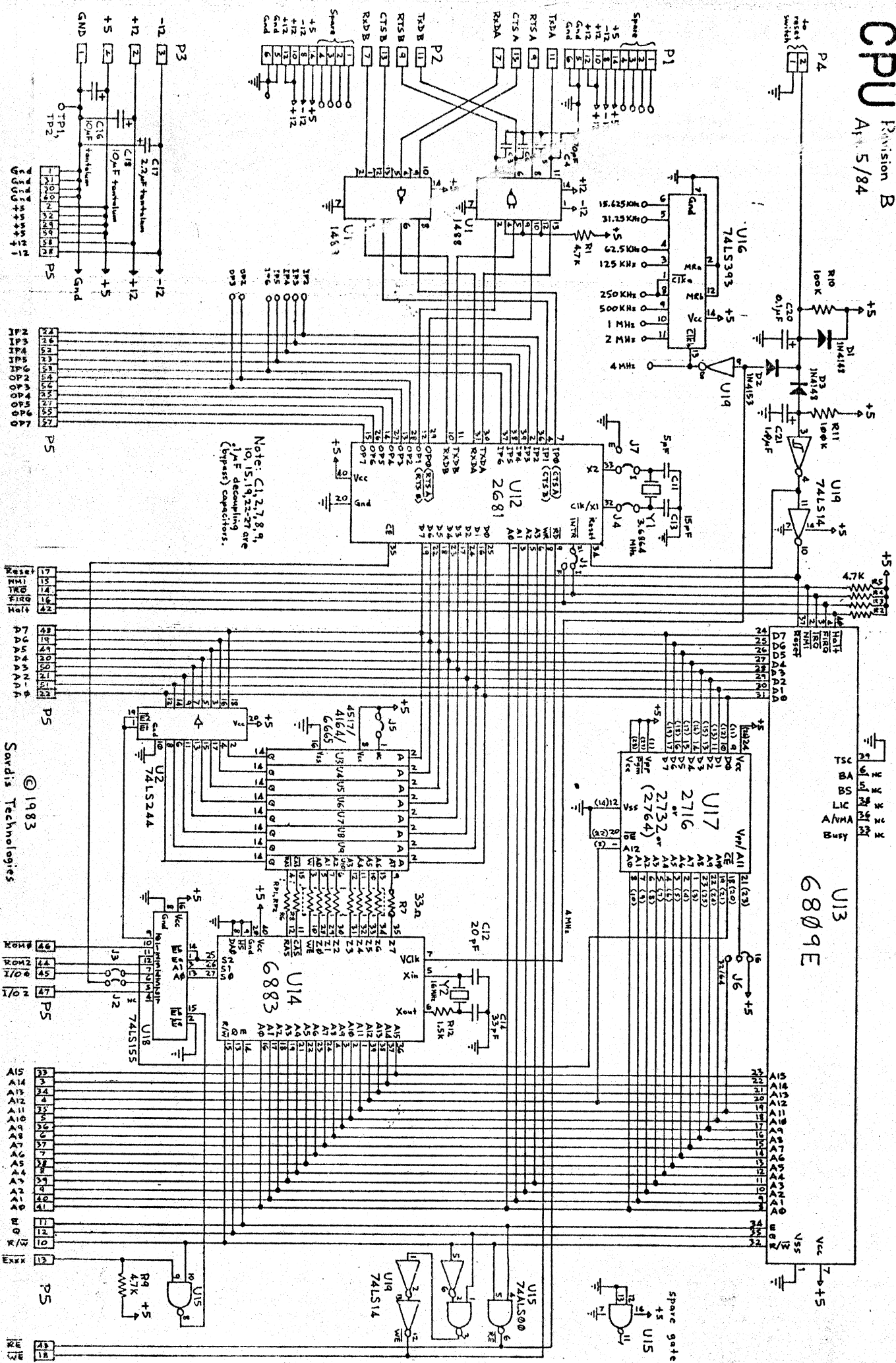


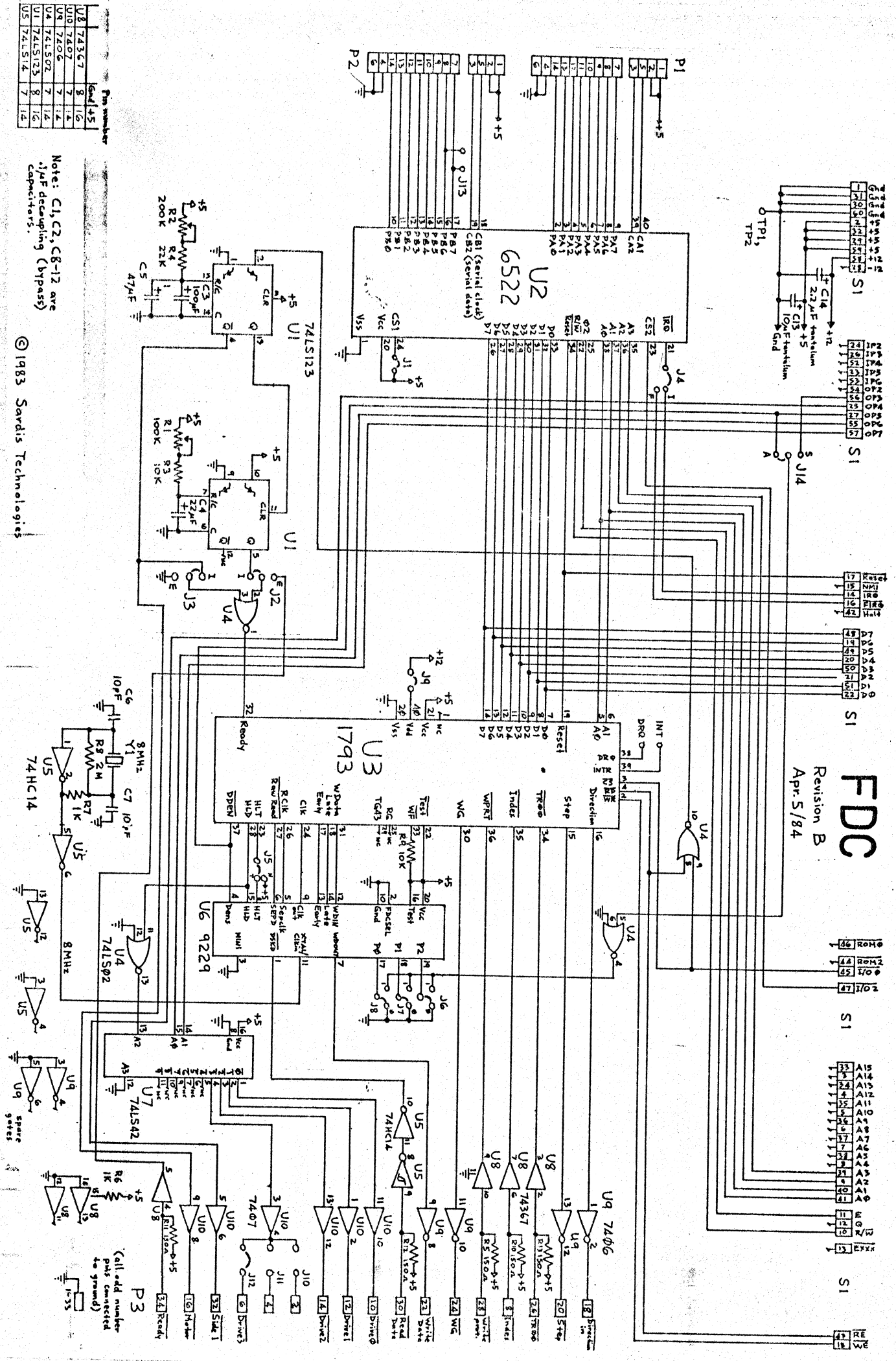
# CPU Revision B

## At 5/84



# FDC

Revision B  
Apr. 5/84



Pin number	Pin number
U8 74367	8
U10 7407	7
U4 7406	7
U4 74LS02	7
U1 74LS123	8
U5 74LS14	7

Note: C1, C2, C3-12 are .1µF decoupling (bypass) capacitors.

(All odd number pins connected to ground)