



MOTOROLA

M68MDM1

5" DISPLAY MONITOR

The M68MDM1 modular 5 inch display provides versatile performance features, contained on plug-in boards and modules, and placed in a compact chassis that fits right into terminals, which require a small, distinctly readable display.

Solid State: All components (except the picture tube) are completely transistorized.

Signal Inputs: Composite video.

DC Power: The M68MDM1 operates on 12V DC at less than one amp, making it independent of international power considerations. Resolution: Video response to 12 MHz and the excellent geometry and small spot size of the picture tube combine to assure 650-line horizontal resolution for sharp picture detail.

Serviceability: 99% of the module circuitry is contained on two easily removable printed circuit boards for simple, expedient field maintenance.

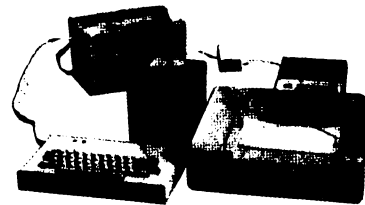
SPECIFICATIONS

Specification	Value
Picture tube	
diagonal	5" (127 mm)
viewing area	13 sq. in. (84 cm ²)
deflection angle	55°
phosphor	P4
Input signal	
composite video	0.5V to 2.5V, 75Ω, negative modulation
Video response	3dB, 10 Hz to 12 MHz
Resolution	
center	650 lines
corners	500 lines
Geometric distortion/linearity	less than 2%/o
High Voltage	9.5 KV at 50 μA beam current, nominal
Horizontal blanking interval	11 μs required
Scanning frequency	
horizontal	15 720 Hz ± 500 Hz
vertical	50 Hz
Power Requirement	12 Vdc at 900 mA
Operating temperature	0°C to 55°C
Dimensions	
height	117 mm
width	131 mm
depth	234 mm
Weight	1.6 Kg (Net)

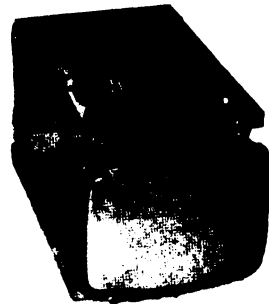
POLYVALENT DEVELOPMENT SYSTEM

5" DISPLAY MONITOR

PDS



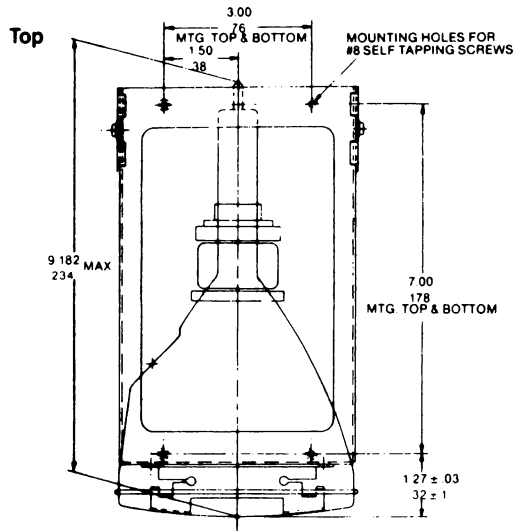
MDM1



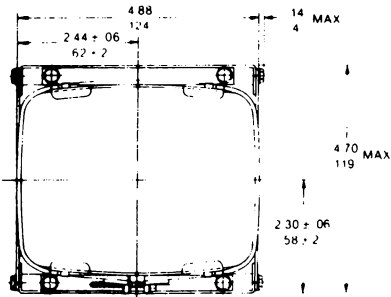
ACCESSORIES

M68DMC1 Display cabinet for
5" CRT

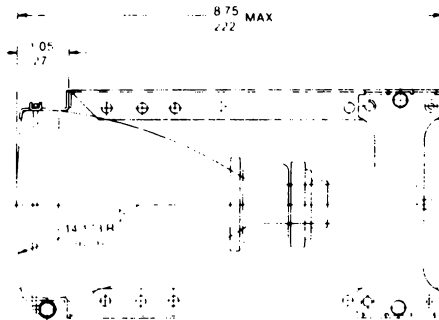
M68MDM1



Front



Side



MOTOROLA Semiconductor Products Inc.