

Sheet: CPU



File: CPU.sch

Sheet: Buffers



File: Buffers.sch

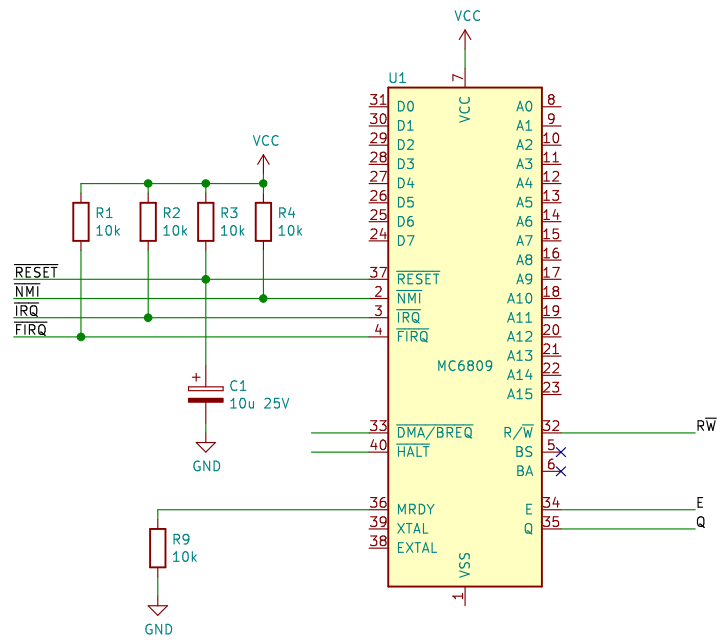
Sheet: Memory



File: Memory.sch



Sheet: /		
File: EurocardSBC.sch		
Title:		
Size: A4	Date:	Rev:
KiCad E.D.A. kicad (5.1.12)-1		Id: 1/4

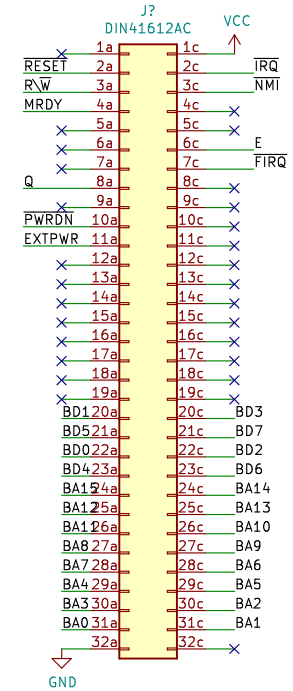
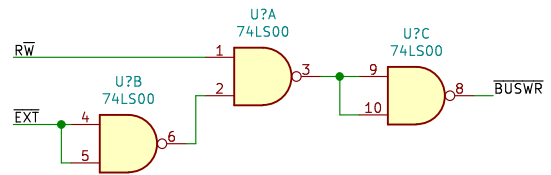
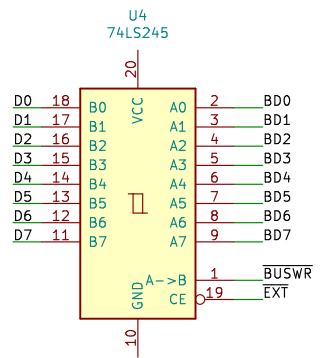
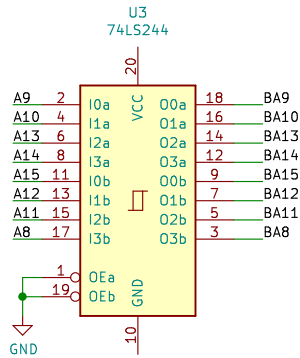
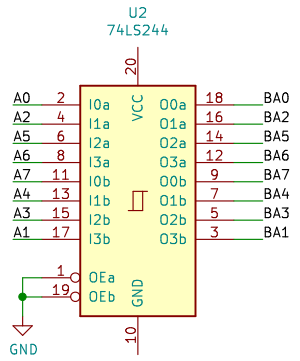


Sheet: /CPU/
File: CPU.sch

Title:

Size: A4 Date:
KiCad E.D.A. kicad (5.1.12)-1

Rev:
Id: 2/4



Sheet: /Buffers/
File: Buffers.sch

Title:

Size: A4	Date:	Rev:
KiCad E.D.A. kicad (5.1.12)-1		Id: 3/4

